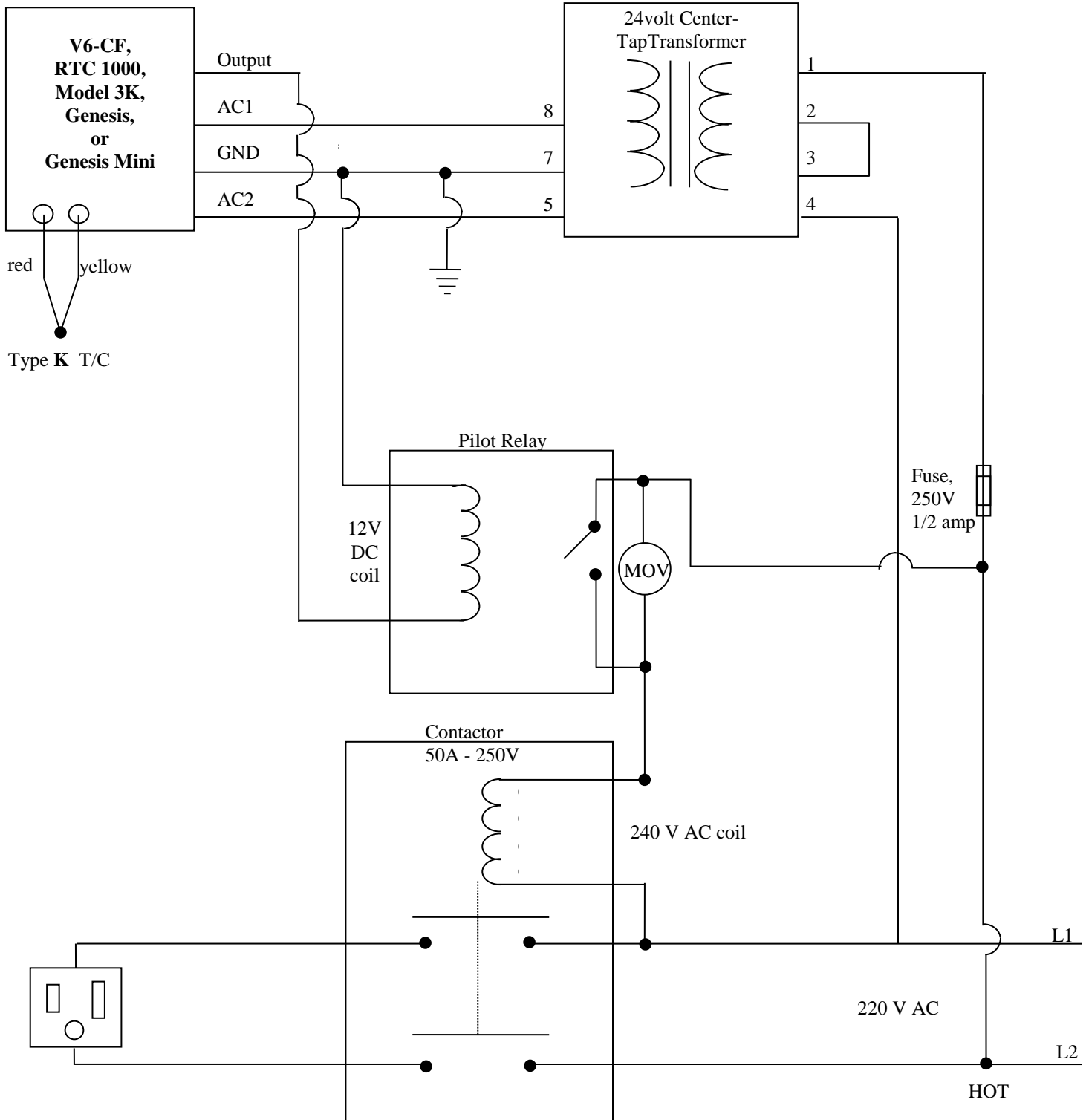


APPLICATION EXAMPLE using a V6-CF, RTC1000, Model 3K, Genesis, or Genesis Mini Controller. Also applicable to older models such as the THP600, SSC100, or THP100 Controllers



This is only a SAMPLE wiring diagram. Wiring should be checked by a licensed electrician before operating.

Revised: 5-29-20